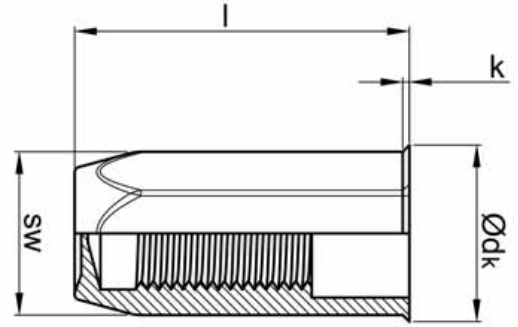
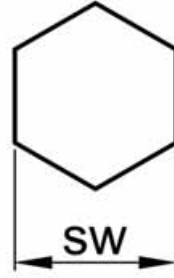

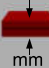


SOMUNLU PERÇİN SIZDIRMAZ ÇELİK ALTİKÖŞE GÖVDE FLANŞ KAFI

RIVET NUTS CLOSED STEEL HEX. REDUCED HEAD



			l [+1/-2] [mm]		$\varnothing dk$ [mm]	k [mm]	SW [+0/0,12] [mm]	\odot [Nm]	ÜRÜN NO PART NO
M4	SW1 6,0	$\begin{matrix} \updownarrow [N] : 3.530 \\ \rightleftarrows [N] : 1.470 \end{matrix}$	15,0	0,5 - 2,5	9,0 [+/-0,5]	$\leq 0,5$	5,9	5,0	02.23223.M041600525
M5	SW1 7,0	$\begin{matrix} \updownarrow [N] : 4.900 \\ \rightleftarrows [N] : 1.760 \end{matrix}$	1,0	0,5 - 3,0	10,0 [+/-0,5]	$\leq 0,5$	6,9	7,0	02.23223.M052000530
M6	SW1 9,0	$\begin{matrix} \updownarrow [N] : 14.700 \\ \rightleftarrows [N] : 2.940 \end{matrix}$	23,0	0,5 - 3,5	12,7 [+/-0,5]	$\leq 0,6$	8,9	14,0	02.23223.M062050535
M8	SW1	$\begin{matrix} \updownarrow [N] : 21.560 \\ \rightleftarrows [N] : 3.020 \end{matrix}$	2,0	1,0 - 4,0	16,0 [+/-0,5]	$\leq 0,65$	10,9	21,0	02.23223.M082301040
M10	SW1 13,0	$\begin{matrix} \updownarrow [N] : 63.400 \\ \rightleftarrows [N] : 3.430 \end{matrix}$	33,0	1,0 - 4,5	18,0 [+/-0,5]	$\leq 0,75$	12,9	35,0	02.23223.M102851045

